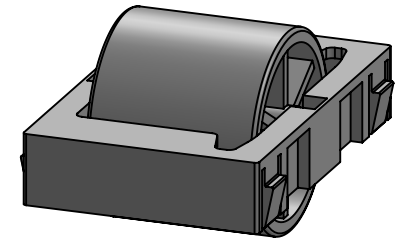
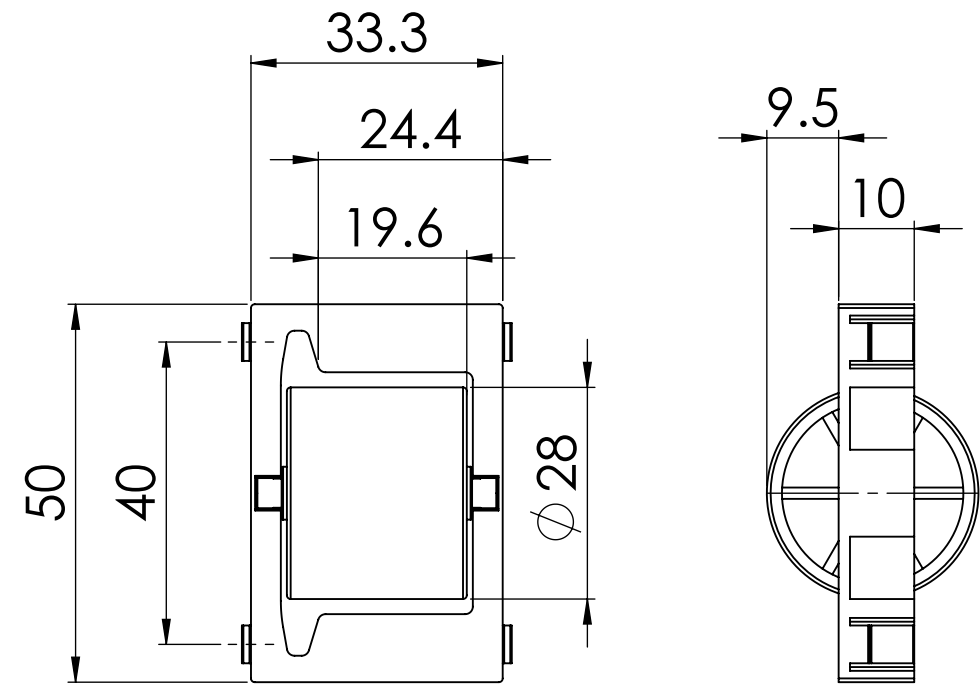


8 7 6 5 4 3 2 1

D  
C  
B  
A



D  
C  
B  
A

NOTE :-  
ALL UNMENTIONED FILLETS ARE 0.2 MM

		UNLESS OTHERWISE SPECIFIED:		NAME	DATE		
		DIMENSIONS ARE IN MILLIMETERS		DRAWN		TITLE:	
		TOLERANCES:		CHECKED			
		FRACTIONAL ±		ENG APPR.			
		ANGULAR: MACH ± BEND ±		MFG APPR.			
		TWO PLACE DECIMAL ±		Q.A.		SIZE	DWG. NO.
		THREE PLACE DECIMAL ±		PROJECTION:		<b>B</b>	801156
		INTERPRET GEOMETRIC TOLERANCING PER: ISO 2768 MEDIUM				REV	
		MATERIAL				SCALE: 1:1	WEIGHT:
NEXT ASSY	USED ON	FINISH		DEBURR AND BREAK SHARP EDGES		SHEET 1 OF 1	
APPLICATION		DO NOT SCALE DRAWING					

8 7 6 5 4 3 2 1