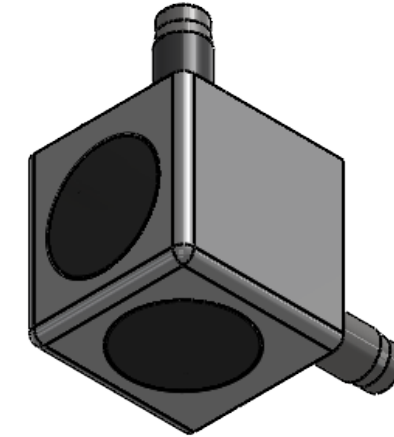
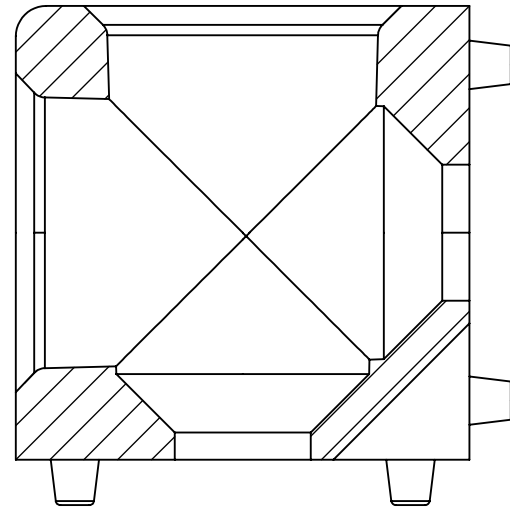
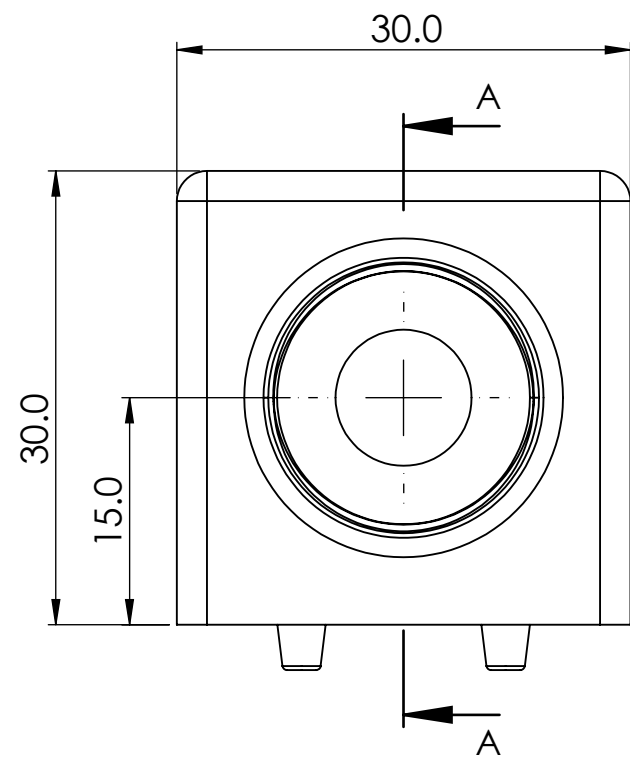


8 7 6 5 4 3 2 1

F

F

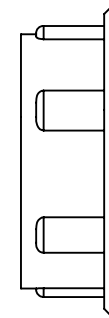
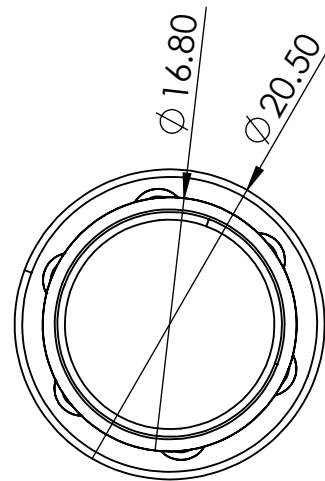
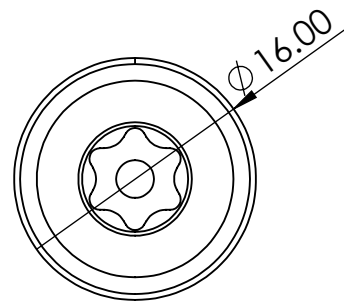


E

E

D

D

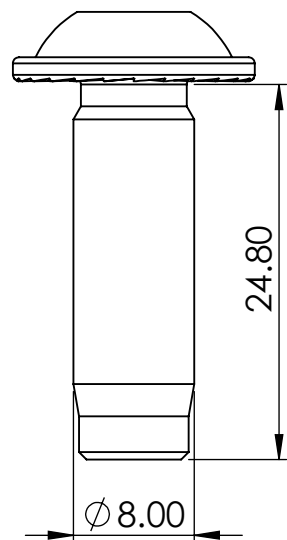


C

C

B

B



A

A

Note:  
All unmentioned fillets are 0.2mm

UNLESS OTHERWISE SPECIFIED: DIMENSIONS ARE IN MILLIMETERS SURFACE FINISH: TOLERANCES: ISO 2768 LINEAR: ANGULAR:		FINISH:		DEBURR AND BREAK SHARP EDGES		DO NOT SCALE DRAWING		REVISION	
DRAWN		NAME		SIGNATURE		DATE		TITLE: <b>482538727</b>	
CHK'D									
APPV'D									
MFG									
Q.A						MATERIAL:		DWG NO.	
								A3	
						WEIGHT:		SCALE:2:1	
								SHEET 1 OF 1	

8 7 6 5 4 3 2 1