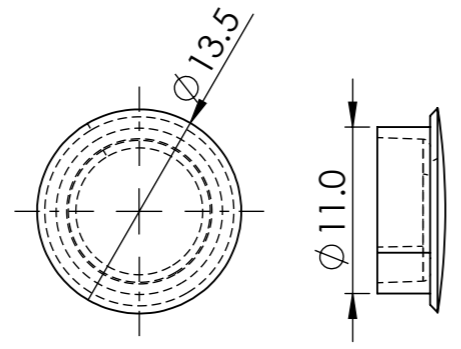
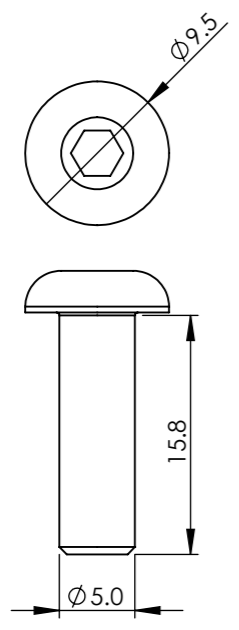
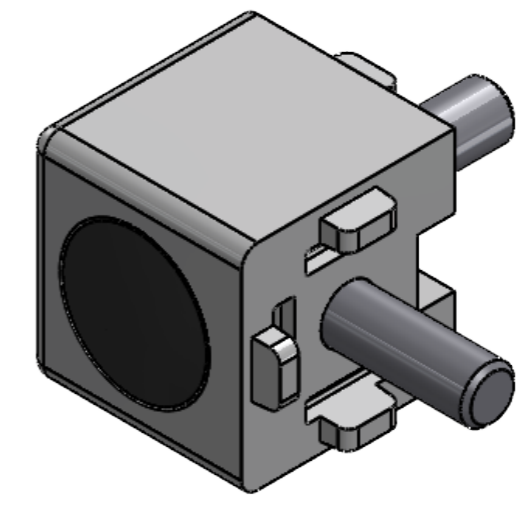
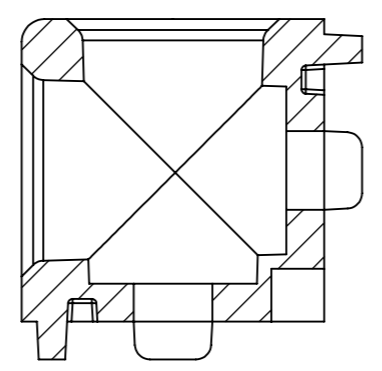
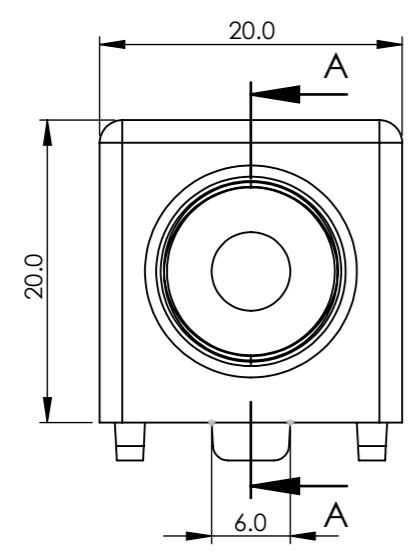


8 7 6 5 4 3 2 1

F
E
D
C
B
A

F
E
D
C
B
A



Note:
All unmentioned fillets are 0.2mm

UNLESS OTHERWISE SPECIFIED: DIMENSIONS ARE IN MILLIMETERS SURFACE FINISH: TOLERANCES: ISO 2768 LINEAR: ANGULAR:				FINISH:		DEBURR AND BREAK SHARP EDGES		DO NOT SCALE DRAWING		REVISION	
								TITLE:			
								462524484			
DRAWN				NAME		SIGNATURE		DATE		DWG NO.	
CHK'D										A3	
APPV'D										SCALE:2:1	
MFG										SHEET 1 OF 1	
Q.A								MATERIAL:		WEIGHT:	

8 7 6 5 4 3 2 1