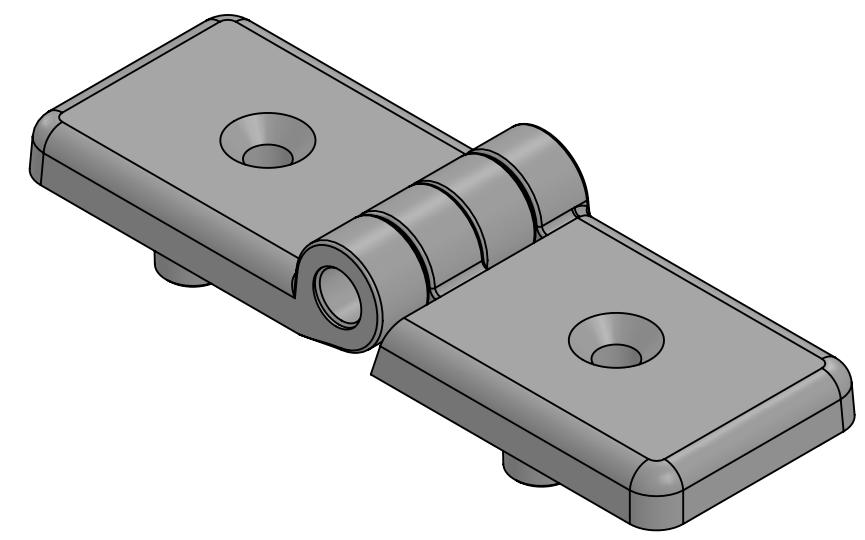
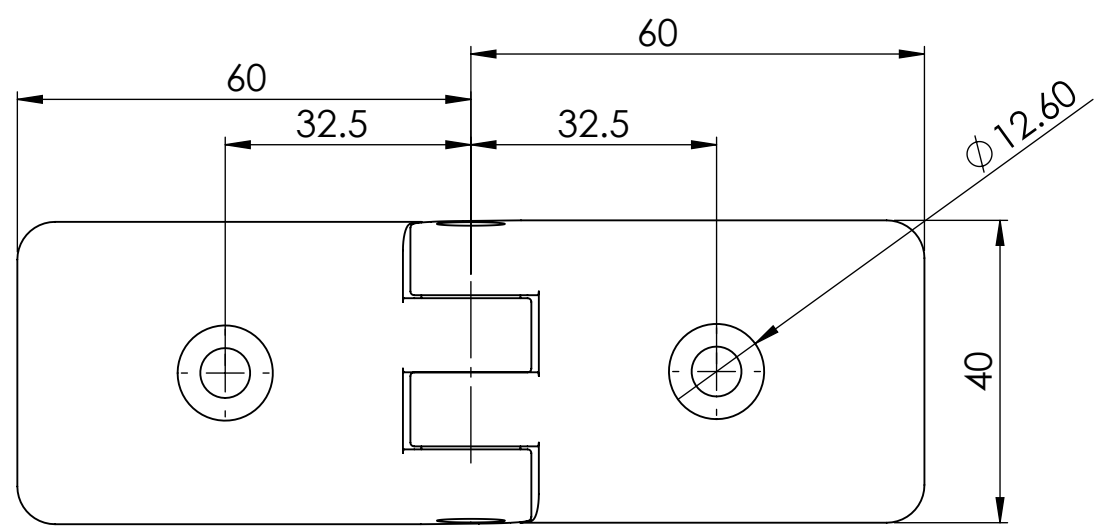
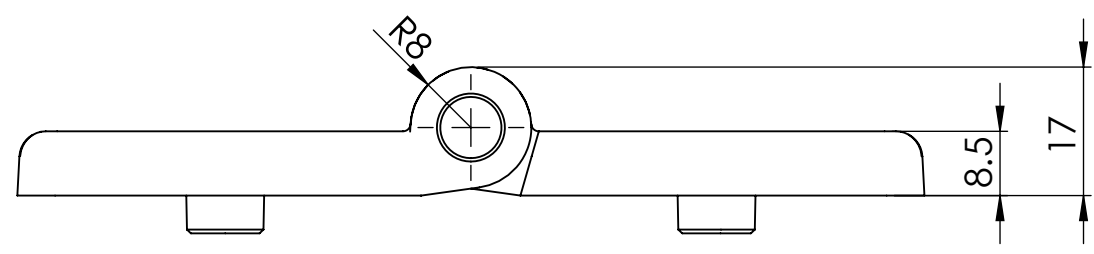


8 7 6 5 4 3 2 1

D  
C  
B  
A



D  
C  
B  
A

NOTE :-  
ALL UNMENTIONED FILLETS ARE 0.2 MM

8 7 6 5 4 3 2 1

		UNLESS OTHERWISE SPECIFIED:		NAME	DATE		
		DIMENSIONS ARE IN MILLIMETERS	DRAWN			TITLE:	
		TOLERANCES:	CHECKED				
		FRACTIONAL $\pm$	ENG APPR.				
		ANGULAR: MACH $\pm$ BEND $\pm$	MFG APPR.				
		TWO PLACE DECIMAL $\pm$	Q.A.			SIZE	DWG. NO.
		THREE PLACE DECIMAL $\pm$	PROJECTION:			<b>B</b>	412535747
		INTERPRET GEOMETRIC TOLERANCING PER: ISO 2768 MEDIUM					REV
		MATERIAL					
NEXT ASSY	USED ON	FINISH				SCALE: 1:1	WEIGHT:
APPLICATION		DO NOT SCALE DRAWING	DEBURR AND BREAK SHARP EDGES				SHEET 1 OF 1