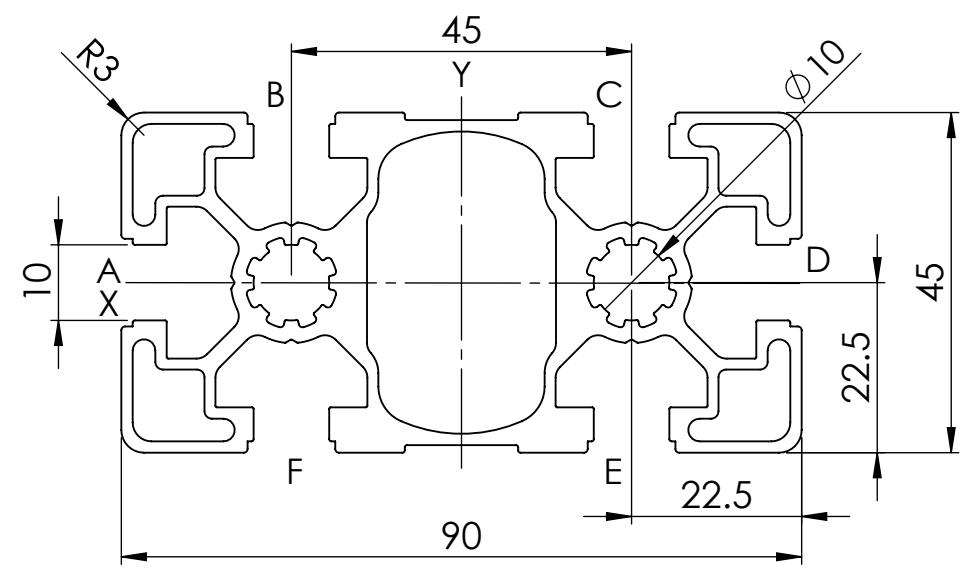
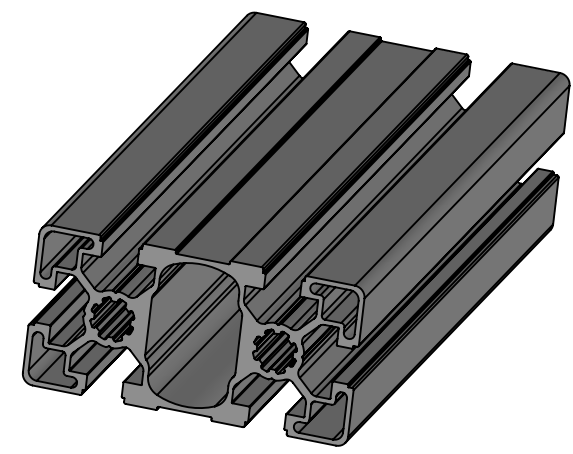


8 7 6 5 4 3 2 1

D
C
B
A

D
C
B
A



NOTE :-
ALL UNMENTIONED FILLETS ARE 0.2 MM

		UNLESS OTHERWISE SPECIFIED:		NAME	DATE	
		DIMENSIONS ARE IN MILLIMETERS	DRAWN			TITLE:
		TOLERANCES:	CHECKED			
		FRACTIONAL ±	ENG APPR.			
		ANGULAR: MACH ± BEND ±	MFG APPR.			
		TWO PLACE DECIMAL ±	Q.A.			SIZE DWG. NO. REV
		THREE PLACE DECIMAL ±	PROJECTION:			
		INTERPRET GEOMETRIC TOLERANCING PER: ISO 2768 MEDIUM	THIRD ANGLE PROJECTION			B 411992432
		MATERIAL				SCALE: 1:2 WEIGHT: SHEET 1 OF 1
		FINISH				
NEXT ASSY	USED ON		DEBURR AND BREAK SHARP EDGES			
APPLICATION		DO NOT SCALE DRAWING				

8 7 6 5 4 3 2 1