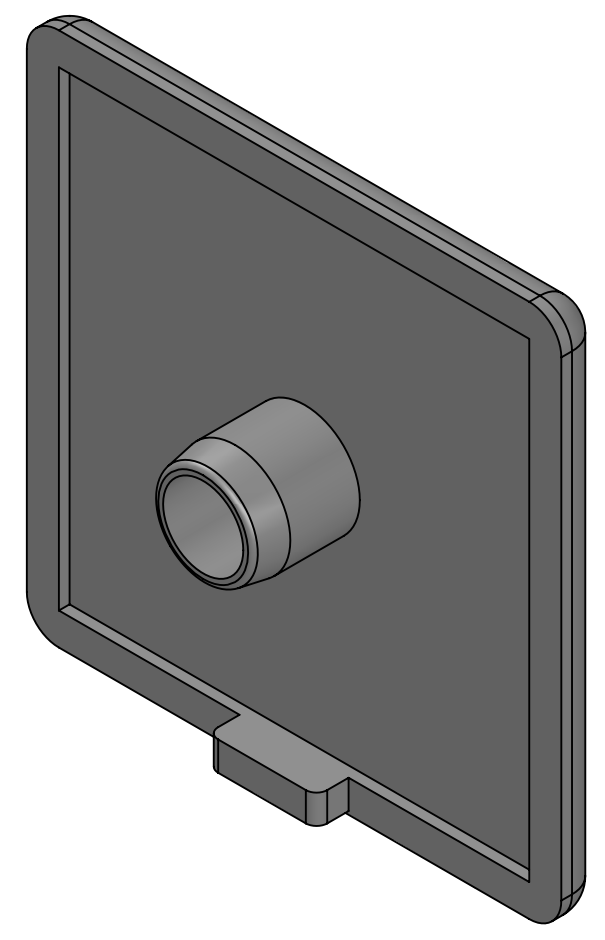
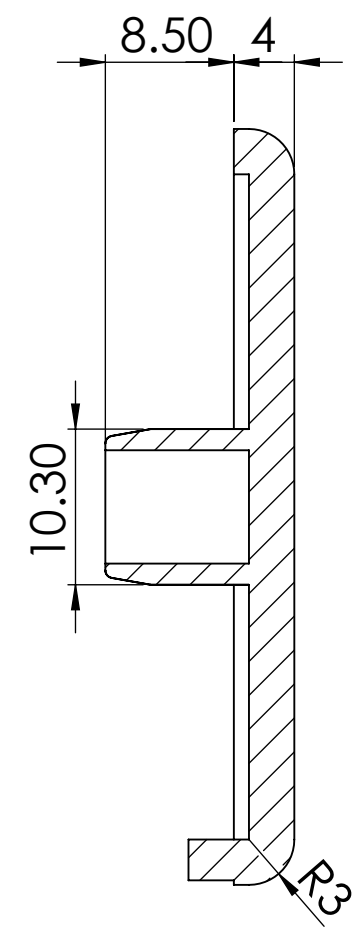
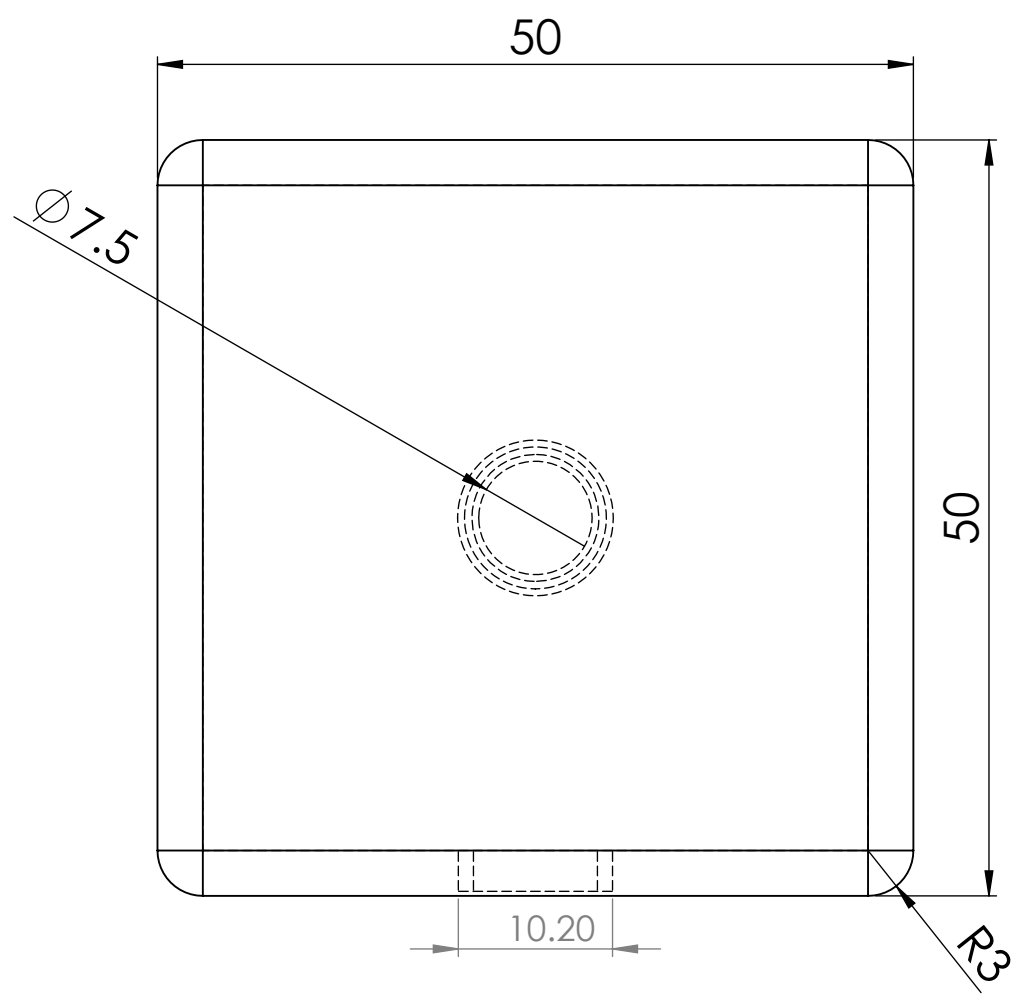


8 7 6 5 4 3 2 1

D
C
B
A



D
C
B
A

NOTE :-
ALL UNMENTIONED FILLETS ARE 0.2 MM

| | | | | | | |
|-------------|---------|--|------------------------------|------------|---------------|--------------------|
| | | UNLESS OTHERWISE SPECIFIED: | NAME | DATE | | |
| | | DIMENSIONS ARE IN MILLIMETERS | DRAWN | | | |
| | | TOLERANCES: | CHECKED | | TITLE: | |
| | | FRACTIONAL ± | ENG APPR. | | | |
| | | ANGULAR: MACH ± BEND ± | MFG APPR. | | | |
| | | TWO PLACE DECIMAL ± | Q.A. | | | |
| | | THREE PLACE DECIMAL ± | PROJECTION: | | | |
| | | INTERPRET GEOMETRIC TOLERANCING PER: ISO 2768 MEDIUM | THIRD ANGLE PROJECTION | | SIZE B | DWG. NO. 411548820 |
| | | MATERIAL | | | | REV |
| NEXT ASSY | USED ON | FINISH | | | | |
| APPLICATION | | DO NOT SCALE DRAWING | DEBURR AND BREAK SHARP EDGES | SCALE: 2:1 | WEIGHT: | SHEET 1 OF 1 |

8 7 6 5 4 3 2 1