

8 7 6 5 4 3 2 1

D

D

C

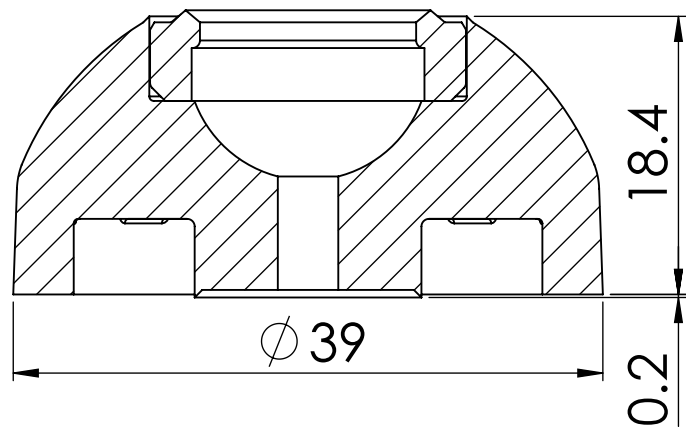
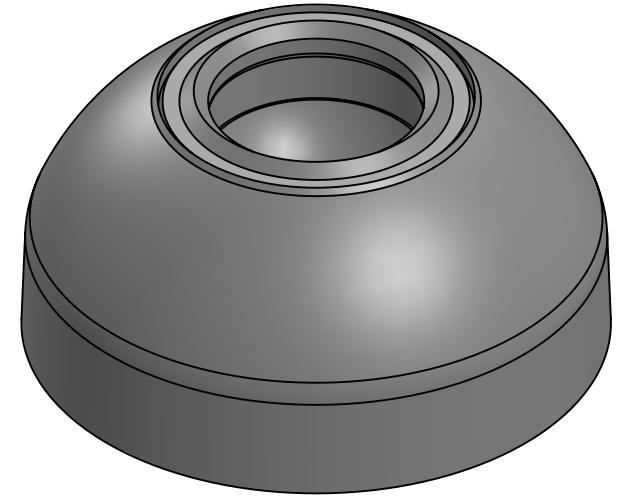
C

B

B

A

A



NOTE :-  
ALL UNMENTIONED FILLETS ARE 0.2 MM

|             |         |  |                              |      |      |            |           |              |
|-------------|---------|--|------------------------------|------|------|------------|-----------|--------------|
|             |         | UNLESS OTHERWISE SPECIFIED:                          |                              | NAME | DATE |            |           |              |
|             |         | DIMENSIONS ARE IN MILLIMETERS                        | DRAWN                        |      |      | TITLE:     |           |              |
|             |         | TOLERANCES:  | CHECKED                      |      |      |            |           |              |
|             |         | FRACTIONAL $\pm$                                     | ENG APPR.                    |      |      |            |           |              |
|             |         | ANGULAR: MACH $\pm$ BEND $\pm$                       | MFG APPR.                    |      |      |            |           |              |
|             |         | TWO PLACE DECIMAL $\pm$                              | Q.A.                         |      |      |            |           |              |
|             |         | THREE PLACE DECIMAL $\pm$                            | PROJECTION:                  |      |      |            |           |              |
|             |         | INTERPRET GEOMETRIC TOLERANCING PER: ISO 2768 MEDIUM |                              |      |      | SIZE       | DWG. NO.  | REV          |
|             |         | MATERIAL   |                              |      |      | <b>B</b>   | 403538675 |              |
| NEXT ASSY   | USED ON | FINISH   |                              |      |      | SCALE: 2:1 | WEIGHT:   | SHEET 1 OF 1 |
| APPLICATION |         | DO NOT SCALE DRAWING                                 | DEBURR AND BREAK SHARP EDGES |      |      |            |           |              |

8 7 6 5 4 3 2 1