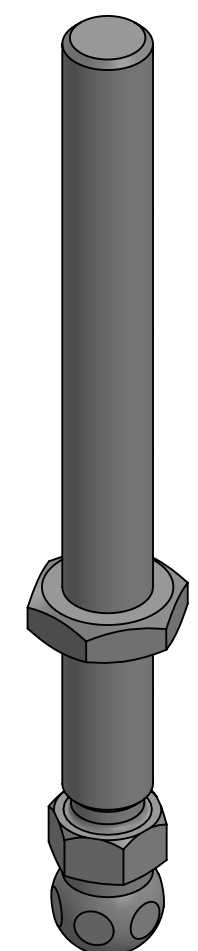
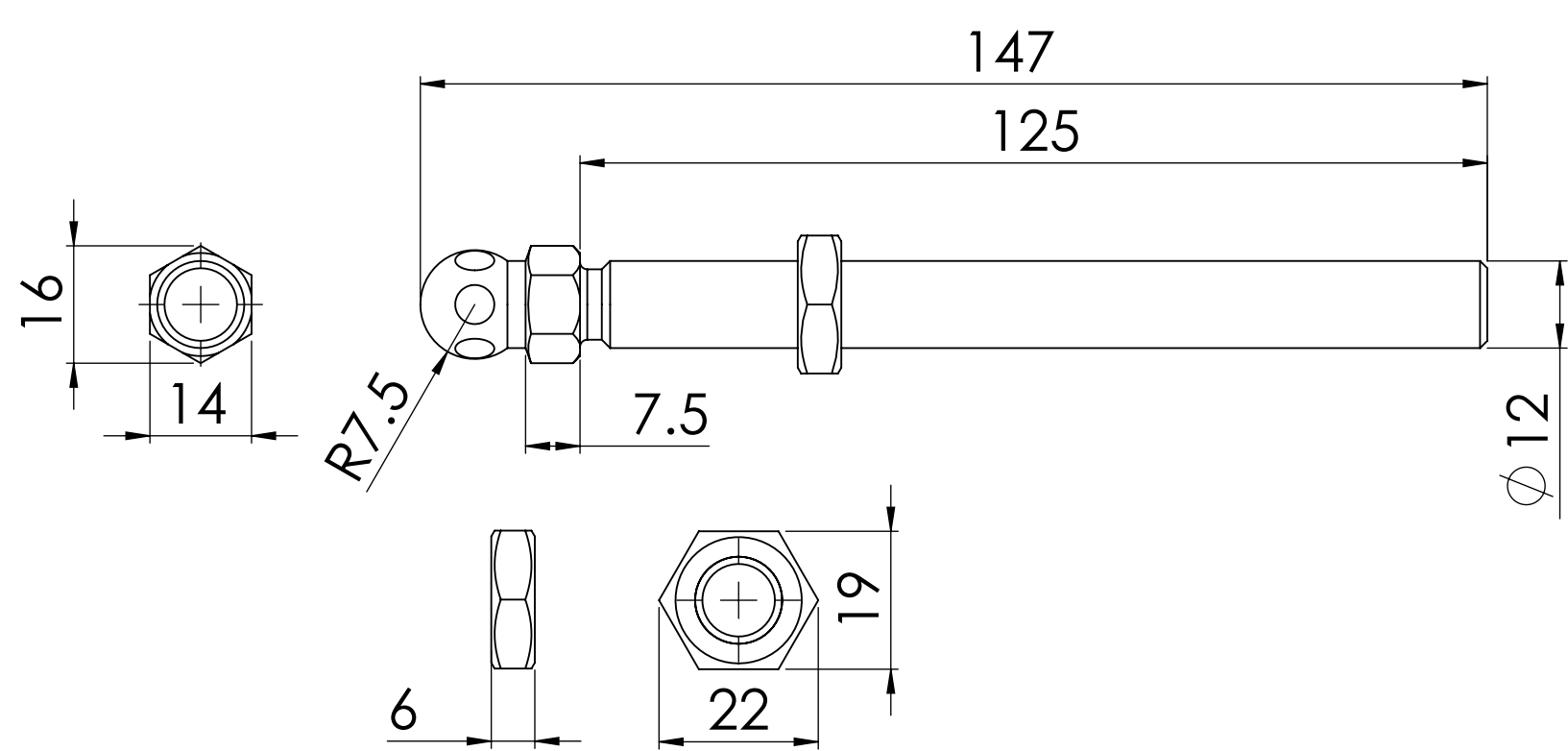


4

3

2

1



B

B

A

A

Note:-  
\*ALL UNMENTIONED FILLETS ARE 0.2MM

		UNLESS OTHERWISE SPECIFIED:	NAME	DATE			
		DIMENSIONS ARE IN MILLIMETERS	DRAWN		TITLE:		
		TOLERANCES:	CHECKED				
		FRACTIONAL $\pm$	ENG APPR.				
		ANGULAR: MACH $\pm$ BEND $\pm$	MFG APPR.				
		TWO PLACE DECIMAL $\pm$	Q.A.		SIZE DWG. NO. REV		
		THREE PLACE DECIMAL $\pm$	Projection:-				
		INTERPRET GEOMETRIC TOLERANCING PER:ISO 2768 MEDIUM	THIRD ANGLE PROJECTION		<b>B</b>	403537223	
		MATERIAL			SCALE: 1:2	WEIGHT:	SHEET 1 OF 1
NEXT ASSY	USED ON	FINISH	DEBURR AND BREAK SHARP EDGES				
APPLICATION		DO NOT SCALE DRAWING					

4

3

2

1