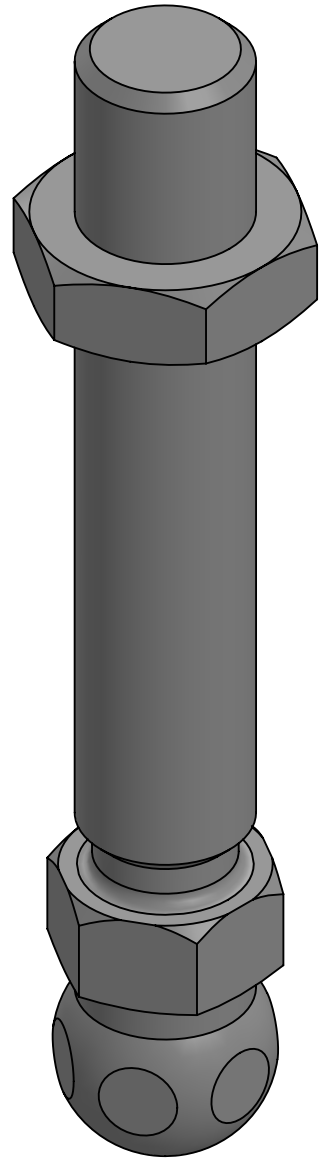
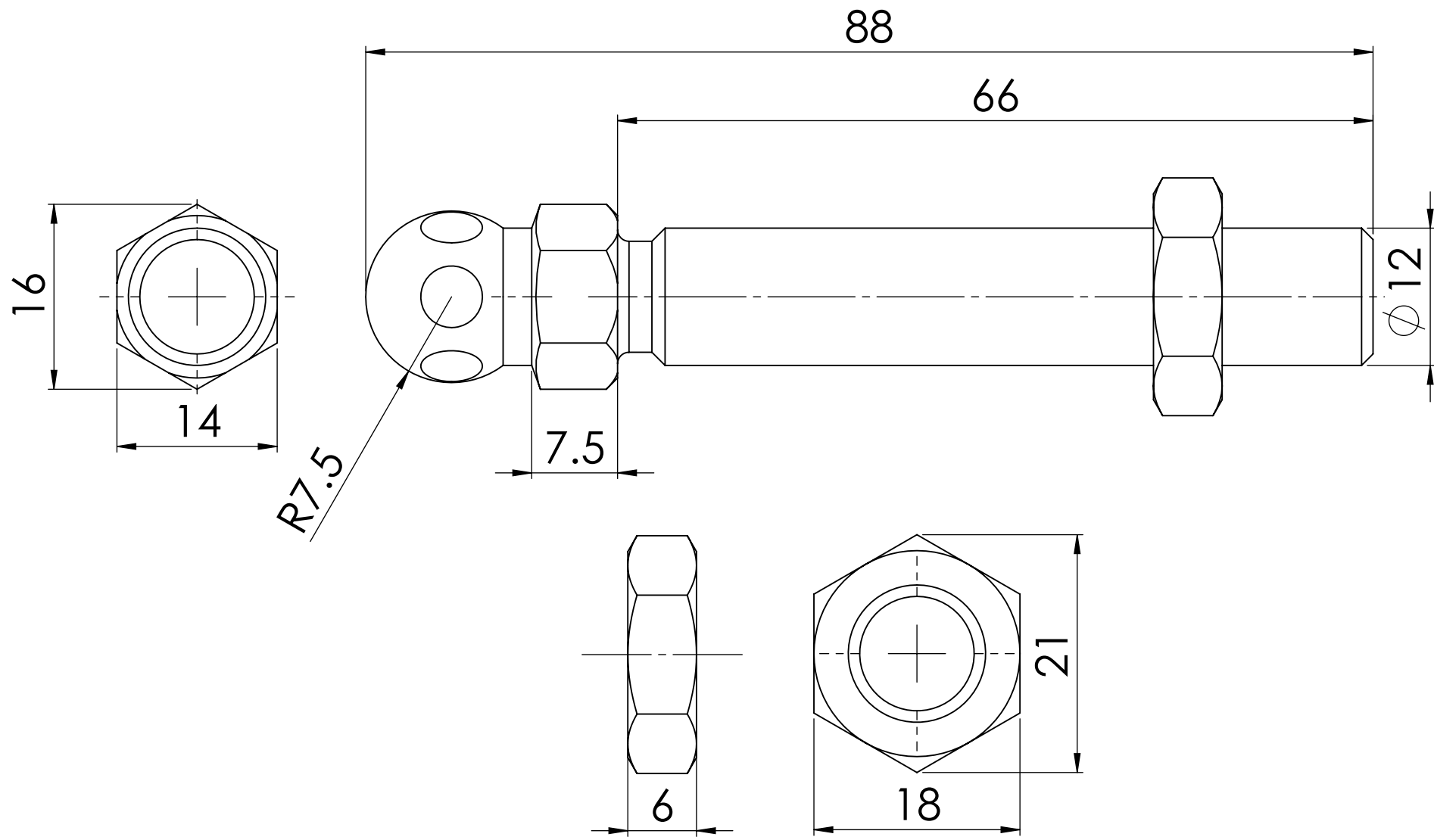


4

3

2

1



B

B

A

A

Note:-
 *ALL UNMENTIONED FILLETS ARE 0.2MM

		UNLESS OTHERWISE SPECIFIED:	NAME	DATE		
		DIMENSIONS ARE IN MILLIMETERS	DRAWN			
		TOLERANCES:	CHECKED		TITLE:	
		FRACTIONAL ±	ENG APPR.			
		ANGULAR: MACH ± BEND ±	MFG APPR.			
		TWO PLACE DECIMAL ±	Q.A.			
		THREE PLACE DECIMAL ±	Projection:-	THIRD ANGLE PROJECTION		
		INTERPRET GEOMETRIC TOLERANCING PER:ISO 2768 MEDIUM				
		MATERIAL	SIZE	DWG. NO.	REV	
NEXT ASSY	USED ON	FINISH	B	403536812		
APPLICATION		DO NOT SCALE DRAWING	SCALE: 1:1	WEIGHT:	SHEET 1 OF 1	

4

3

2

1