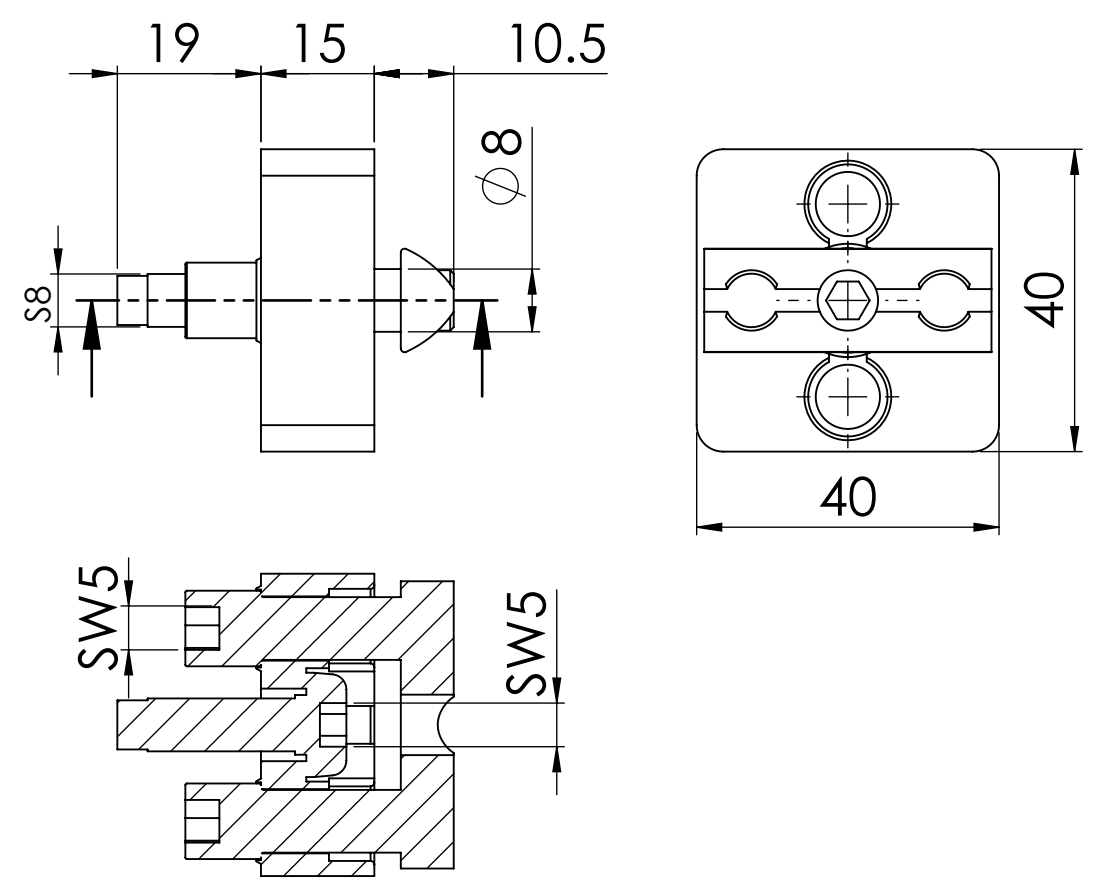
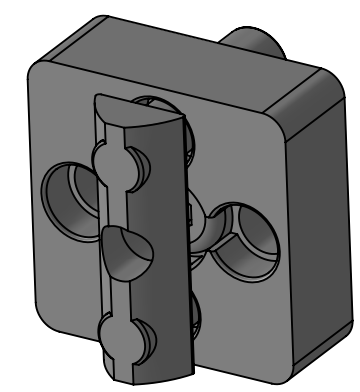


8 7 6 5 4 3 2 1

D
C
B
A

D
C
B
A



NOTE :-
ALL UNMENTIONED FILLETS ARE 0.2 MM

		UNLESS OTHERWISE SPECIFIED:		NAME	DATE		
		DIMENSIONS ARE IN MILLIMETERS	DRAWN			TITLE:	
		TOLERANCES:	CHECKED				
		FRACTIONAL \pm	ENG APPR.				
		ANGULAR: MACH \pm BEND \pm	MFG APPR.				
		TWO PLACE DECIMAL \pm	Q.A.			SIZE	DWG. NO.
		THREE PLACE DECIMAL \pm	PROJECTION:			B	282652030
		INTERPRET GEOMETRIC TOLERANCING PER: ISO 2768 MEDIUM				REV	
		MATERIAL				SCALE: 1:1	WEIGHT:
NEXT ASSY	USED ON	FINISH					SHEET 1 OF 1
APPLICATION		DO NOT SCALE DRAWING	DEBURR AND BREAK SHARP EDGES				

8 7 6 5 4 3 2 1