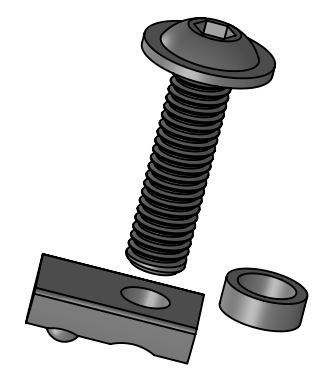
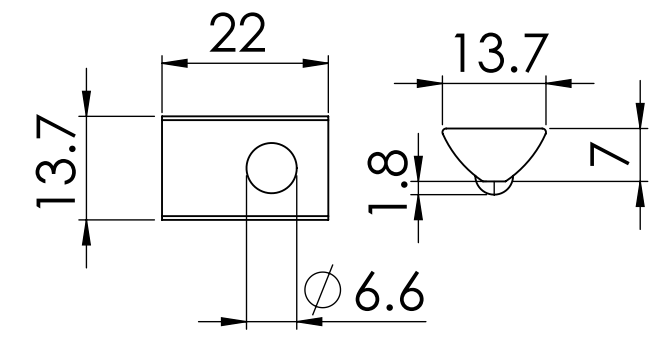
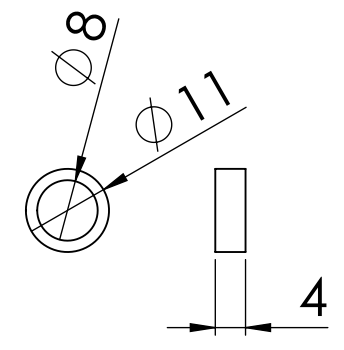
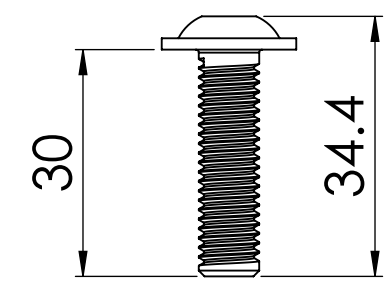
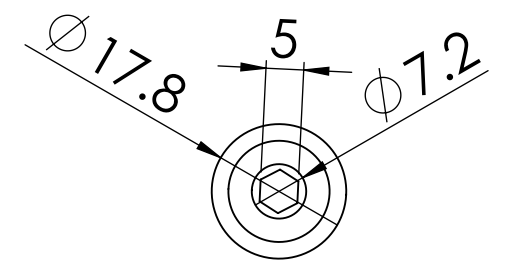


D
C
B
A

D
C
B
A



NOTE :-
ALL UNMENTIONED FILLETS ARE 0.2 MM

		UNLESS OTHERWISE SPECIFIED:		NAME	DATE	
		DIMENSIONS ARE IN MILLIMETERS	DRAWN			TITLE:
		TOLERANCES:	CHECKED			
		FRACTIONAL ±	ENG APPR.			
		ANGULAR: MACH ± BEND ±	MFG APPR.			
		TWO PLACE DECIMAL ±	Q.A.			
		THREE PLACE DECIMAL ±	PROJECTION:			
		INTERPRET GEOMETRIC TOLERANCING PER: ISO 2768 MEDIUM				SIZE
		MATERIAL				DWG. NO.
		FINISH				REV
NEXT ASSY	USED ON					B
						282529160
APPLICATION		DO NOT SCALE DRAWING	DEBURR AND BREAK SHARP EDGES	SCALE: 1:1	WEIGHT:	SHEET 1 OF 1