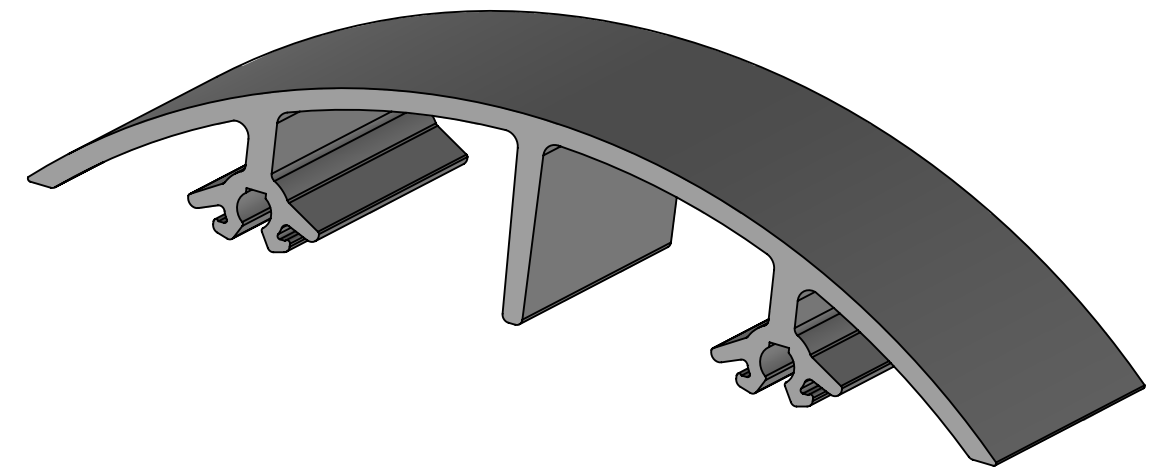
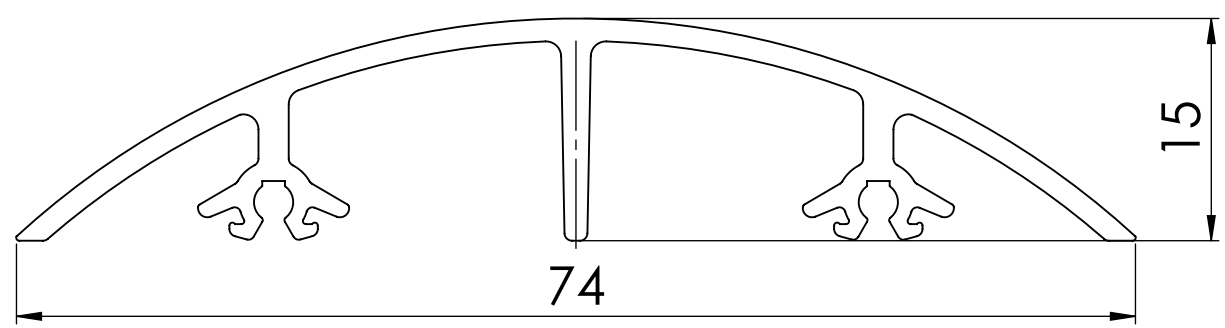


8 7 6 5 4 3 2 1

D
C
B
A



D
C
B
A

NOTE :-
ALL UNMENTIONED FILLETS ARE 0.2 MM

		UNLESS OTHERWISE SPECIFIED:		NAME	DATE		
		DIMENSIONS ARE IN MILLIMETERS	DRAWN			TITLE:	
		TOLERANCES:	CHECKED				
		FRACTIONAL ±	ENG APPR.				
		ANGULAR: MACH ± BEND ±	MFG APPR.				
		TWO PLACE DECIMAL ±	Q.A.			SIZE	
		THREE PLACE DECIMAL ±	PROJECTION:			DWG. NO.	
		INTERPRET GEOMETRIC TOLERANCING PER: ISO 2768 MEDIUM				281996200	
		MATERIAL				REV	
NEXT ASSY	USED ON	FINISH				SCALE: 2:1	
APPLICATION		DO NOT SCALE DRAWING	DEBURR AND BREAK SHARP EDGES			WEIGHT:	SHEET 1 OF 1

8 7 6 5 4 3 2 1