

8 7 6 5 4 3 2 1

F F

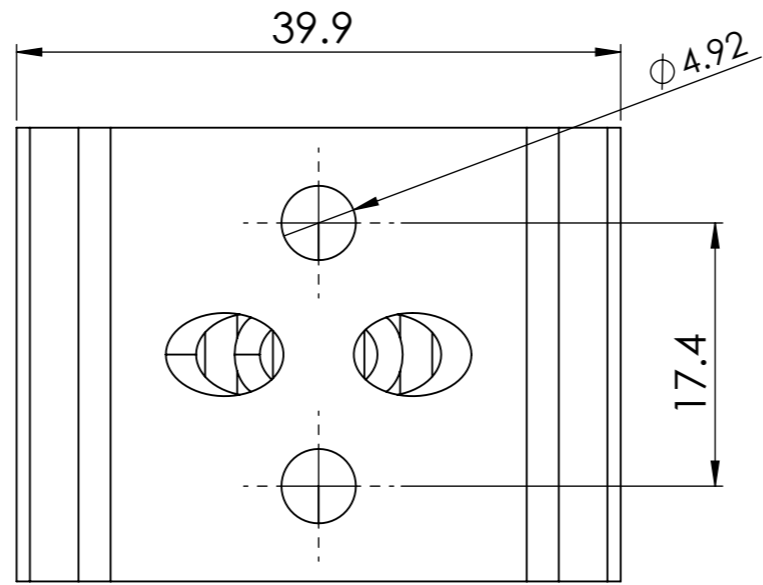
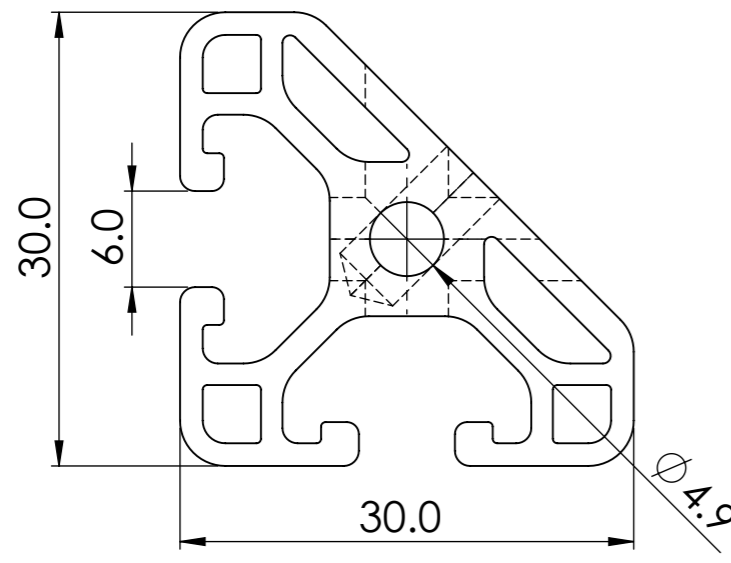
E E

D D

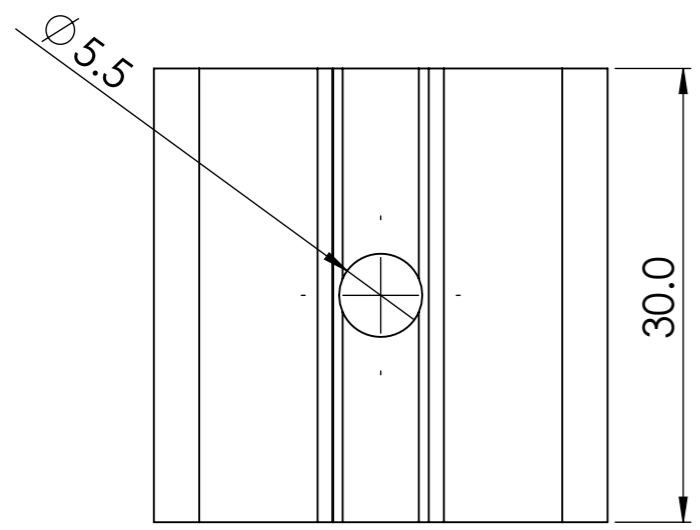
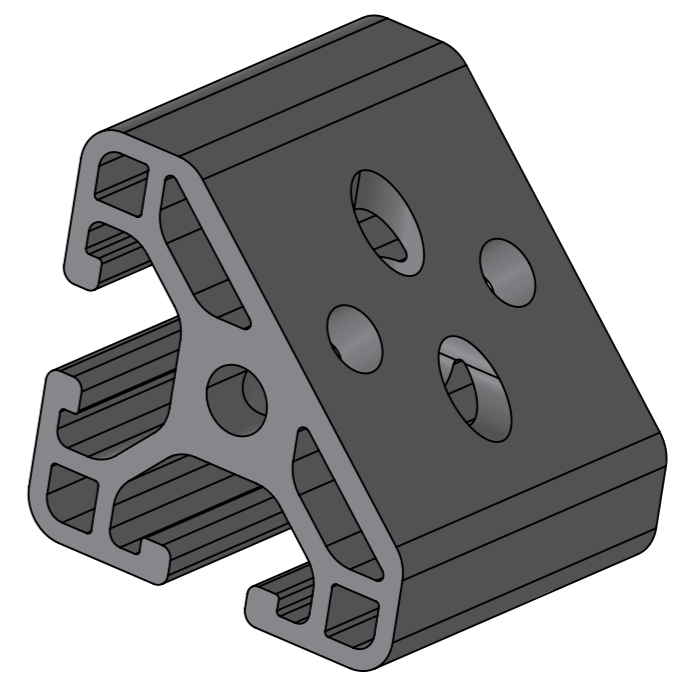
C C

B B

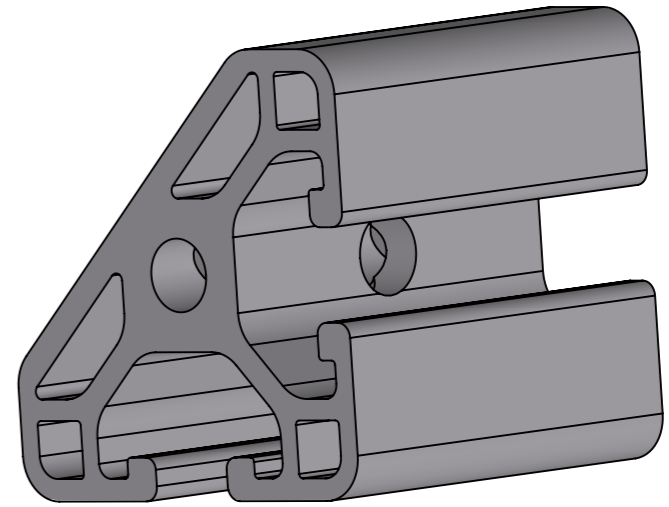
A A



Auxiliary view



Projected view



UNLESS OTHERWISE SPECIFIED: DIMENSIONS ARE IN MILLIMETERS SURFACE FINISH: TOLERANCES: LINEAR: ANGULAR:				FINISH:		DEBURR AND BREAK SHARP EDGES		DO NOT SCALE DRAWING		REVISION	
DRAWN				NAME		SIGNATURE		DATE		TITLE:	
CHK'D										262321003	
APPV'D											
MFG										DWG NO.	
Q.A										A3	
								MATERIAL:		SCALE:2:1	
								WEIGHT:		SHEET 1 OF 1	

8 7 6 5 4 3 2 1