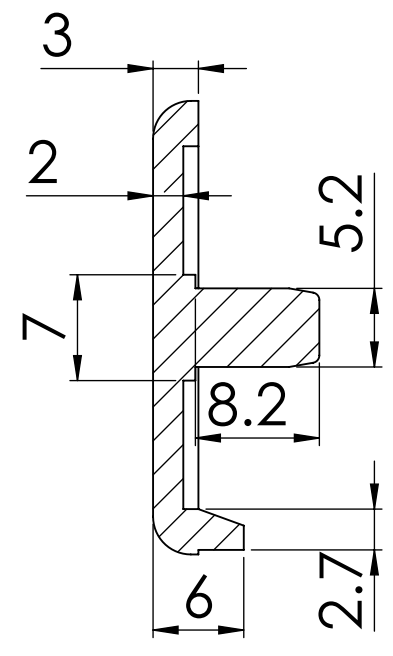
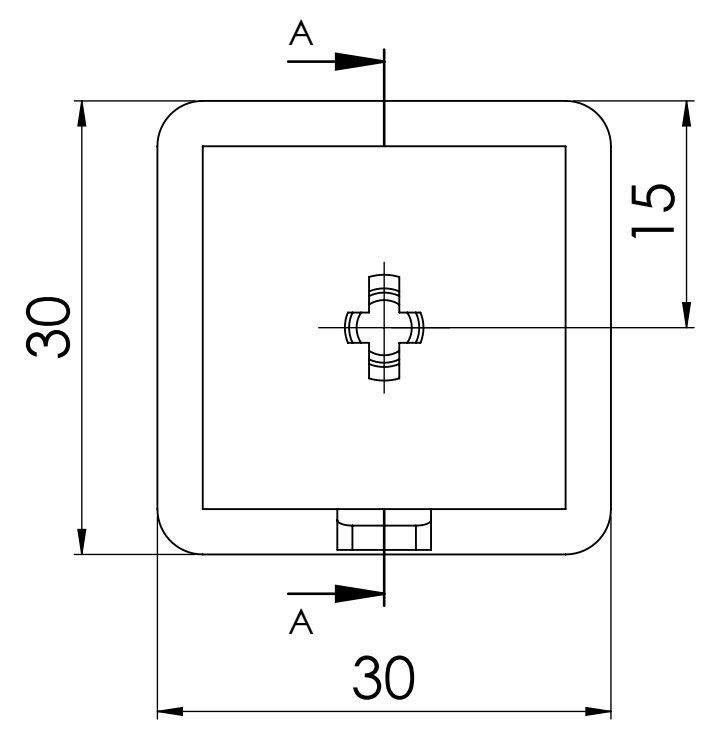


4

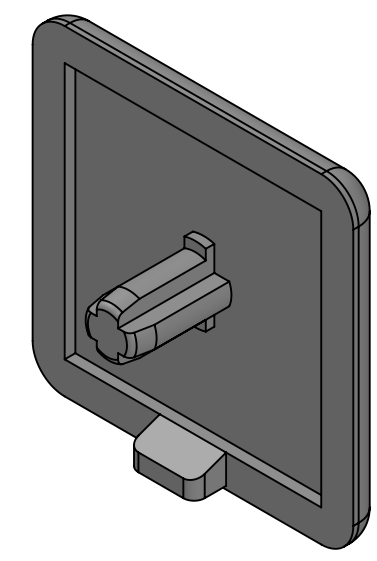
3

2

1



SECTION A-A



Note:-  
\*ALL UNMENTIONED FILLETS ARE 0.2MM

		UNLESS OTHERWISE SPECIFIED:	NAME	DATE		
		DIMENSIONS ARE IN MILLIMETERS	DRAWN		TITLE:	
		TOLERANCES:	CHECKED			
		FRACTIONAL ±	ENG APPR.			
		ANGULAR: MACH ± BEND ±	MFG APPR.			
		TWO PLACE DECIMAL ±	Q.A.		SIZE DWG. NO. REV <b>B</b> 261005009	
		THREE PLACE DECIMAL ±	Projection:-			
		INTERPRET GEOMETRIC TOLERANCING PER:ISO 2768 MEDIUM	<b>THIRD ANGLE PROJECTION</b>		SCALE: 2:1	WEIGHT:
		MATERIAL			SHEET 1 OF 1	
NEXT ASSY	USED ON	FINISH				
APPLICATION		DO NOT SCALE DRAWING	<b>DEBURR AND BREAK SHARP EDGES</b>			

4

3

2

1

B

B

A

A