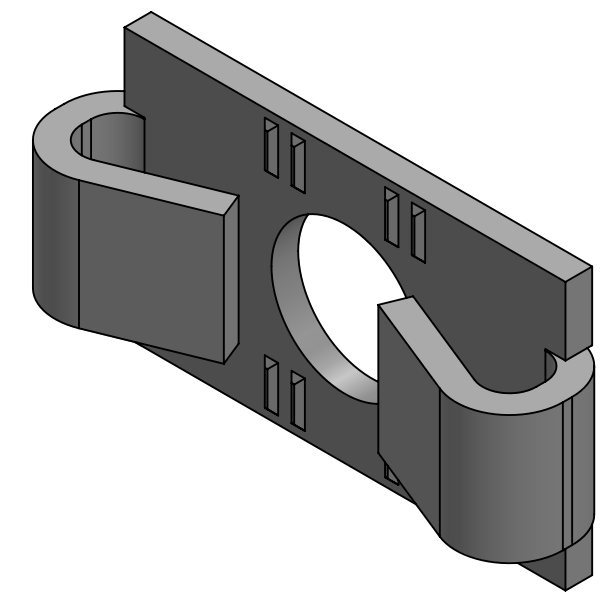
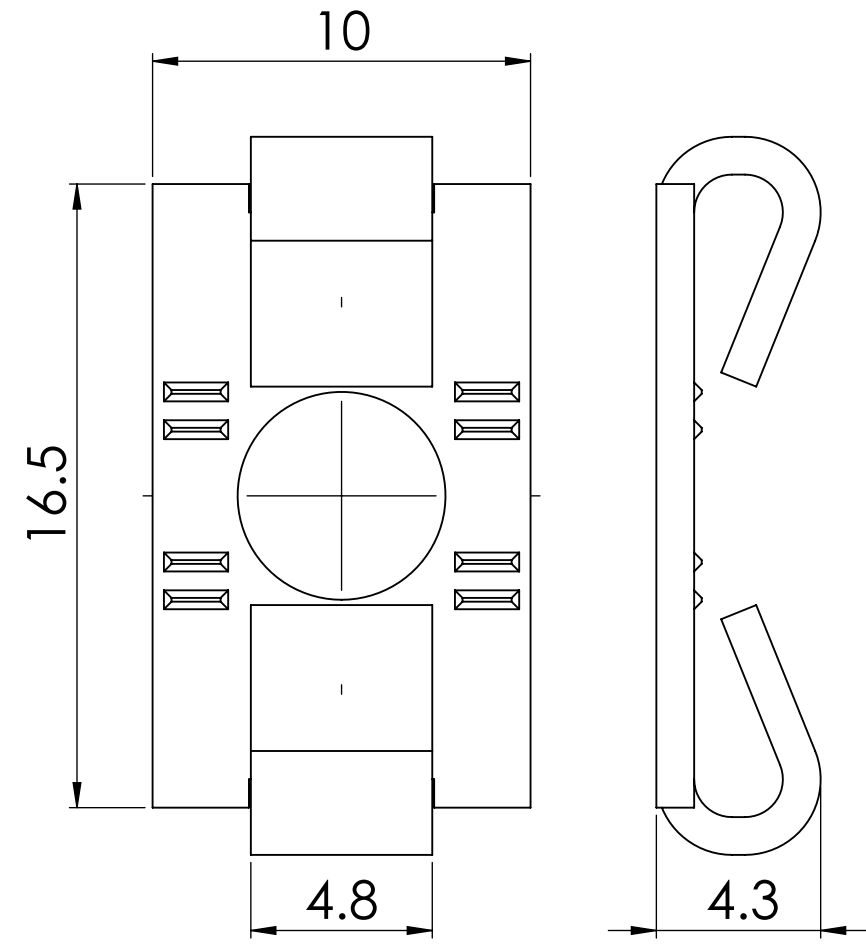


8 7 6 5 4 3 2 1

D
C
B
A

D
C
B
A



NOTE :-
ALL UNMENTIONED FILLETS ARE 0.2 MM

| | | | | | | | |
|-------------|---------|--|--|------------------------------|------|----------------------------------|--|
| | | UNLESS OTHERWISE SPECIFIED: | | NAME | DATE | | |
| | | DIMENSIONS ARE IN MILLIMETERS | | DRAWN | | TITLE: | |
| | | TOLERANCES: | | CHECKED | | | |
| | | FRACTIONAL ± | | ENG APPR. | | | |
| | | ANGULAR: MACH ± BEND ± | | MFG APPR. | | | |
| | | TWO PLACE DECIMAL ± | | Q.A. | | SIZE DWG. NO. REV | |
| | | THREE PLACE DECIMAL ± | | PROJECTION: | | B 252311001 | |
| | | INTERPRET GEOMETRIC TOLERANCING PER: ISO 2768 MEDIUM | | | | SCALE: 10:1 WEIGHT: SHEET 1 OF 1 | |
| | | MATERIAL | | | | | |
| NEXT ASSY | USED ON | FINISH | | | | | |
| APPLICATION | | DO NOT SCALE DRAWING | | DEBURR AND BREAK SHARP EDGES | | | |

8 7 6 5 4 3 2 1