

8 7 6 5 4 3 2 1

D

D

C

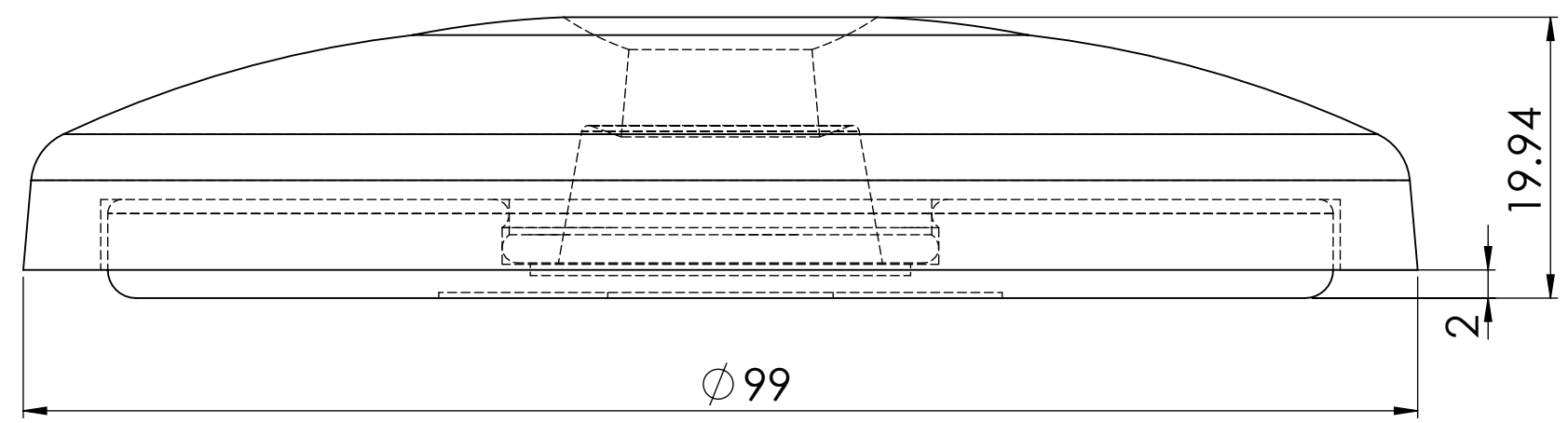
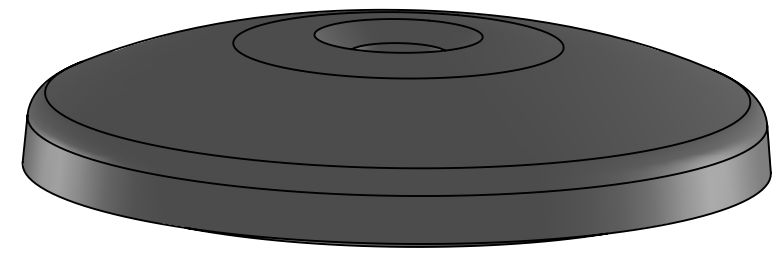
C

B

B

A

A



NOTE :-
ALL UNMENTIONED FILLETS ARE 0.2 MM

		UNLESS OTHERWISE SPECIFIED:		NAME	DATE			
		DIMENSIONS ARE IN MILLIMETERS	DRAWN			TITLE:		
		TOLERANCES:	CHECKED					
		FRACTIONAL \pm	ENG APPR.					
		ANGULAR: MACH \pm BEND \pm	MFG APPR.					
		TWO PLACE DECIMAL \pm	Q.A.			SIZE	DWG. NO.	REV
		THREE PLACE DECIMAL \pm	PROJECTION:			B	203600407	
		INTERPRET GEOMETRIC TOLERANCING PER: ISO 2768 MEDIUM	THIRD ANGLE PROJECTION			SCALE: 1:1	WEIGHT:	SHEET 1 OF 1
NEXT ASSY	USED ON	FINISH	DEBURR AND BREAK SHARP EDGES					
APPLICATION		DO NOT SCALE DRAWING						

8 7 6 5 4 3 2 1