

8 7 6 5 4 3 2 1

D

D

C

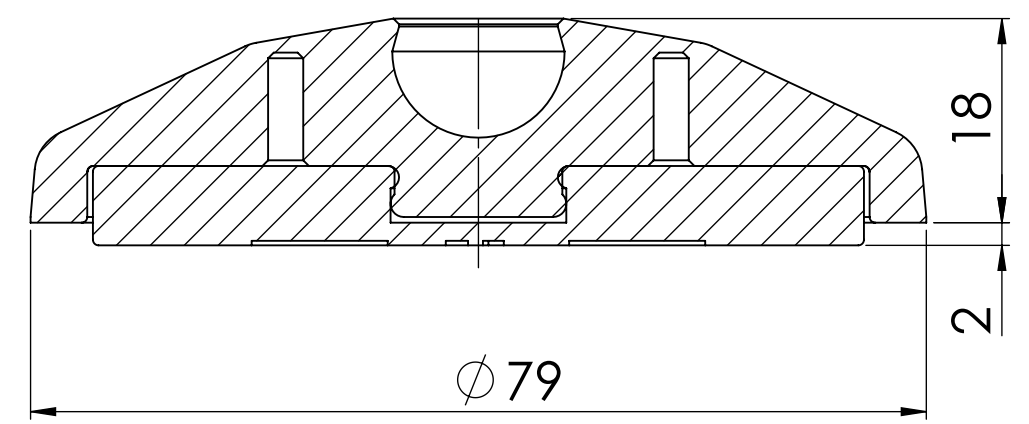
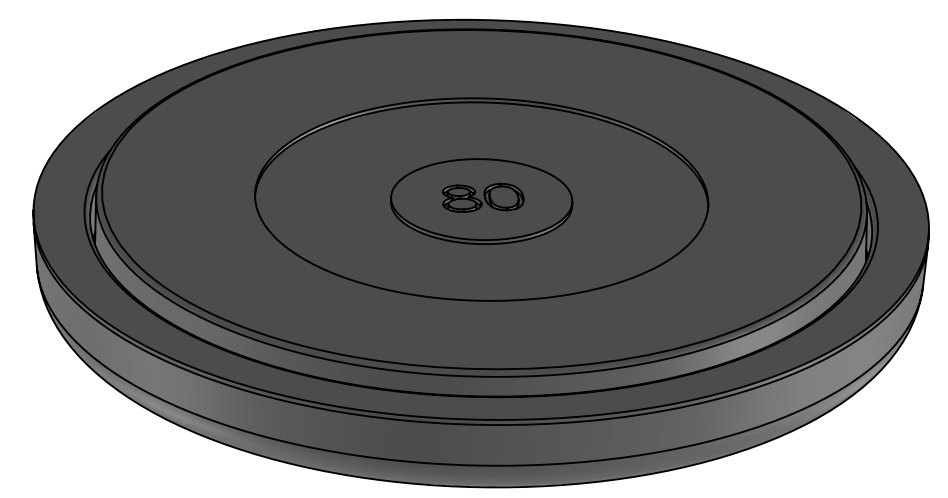
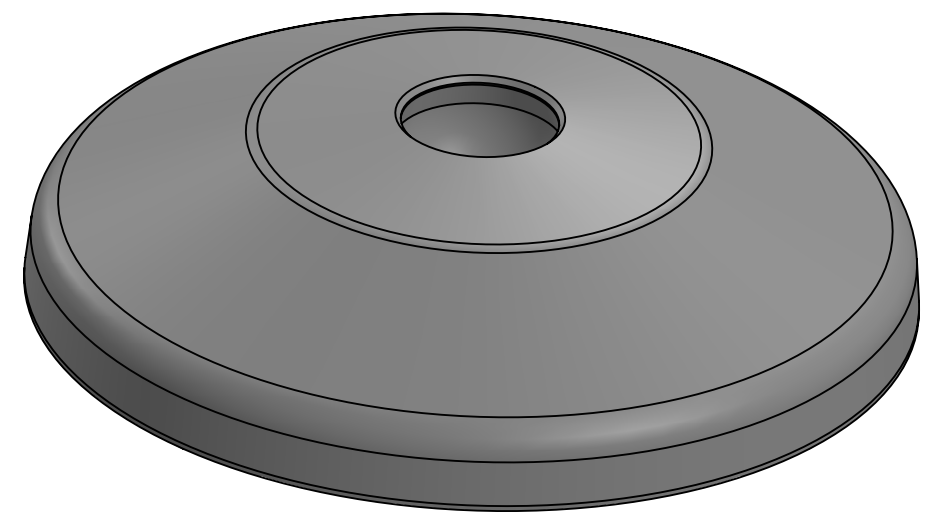
C

B

B

A

A



NOTE :-
ALL UNMENTIONED FILLETS ARE 0.2 MM

8 7 6 5 4 3 2 1

| | | | | | | | | |
|-------------|---------|--|------------------------------|------|------|------------|-----------|--------------|
| | | UNLESS OTHERWISE SPECIFIED: | | NAME | DATE | | | |
| | | DIMENSIONS ARE IN MILLIMETERS | DRAWN | | | TITLE: | | |
| | | TOLERANCES: | CHECKED | | | | | |
| | | FRACTIONAL ± | ENG APPR. | | | | | |
| | | ANGULAR: MACH ± BEND ± | MFG APPR. | | | | | |
| | | TWO PLACE DECIMAL ± | Q.A. | | | SIZE | DWG. NO. | REV |
| | | THREE PLACE DECIMAL ± | PROJECTION: | | | B | 203600111 | |
| | | INTERPRET GEOMETRIC TOLERANCING PER: ISO 2768 MEDIUM | THIRD ANGLE PROJECTION | | | SCALE: 1:1 | WEIGHT: | SHEET 1 OF 1 |
| NEXT ASSY | USED ON | MATERIAL | | | | | | |
| | | FINISH | | | | | | |
| APPLICATION | | DO NOT SCALE DRAWING | DEBURR AND BREAK SHARP EDGES | | | | | |