

8 7 6 5 4 3 2 1

D

D

C

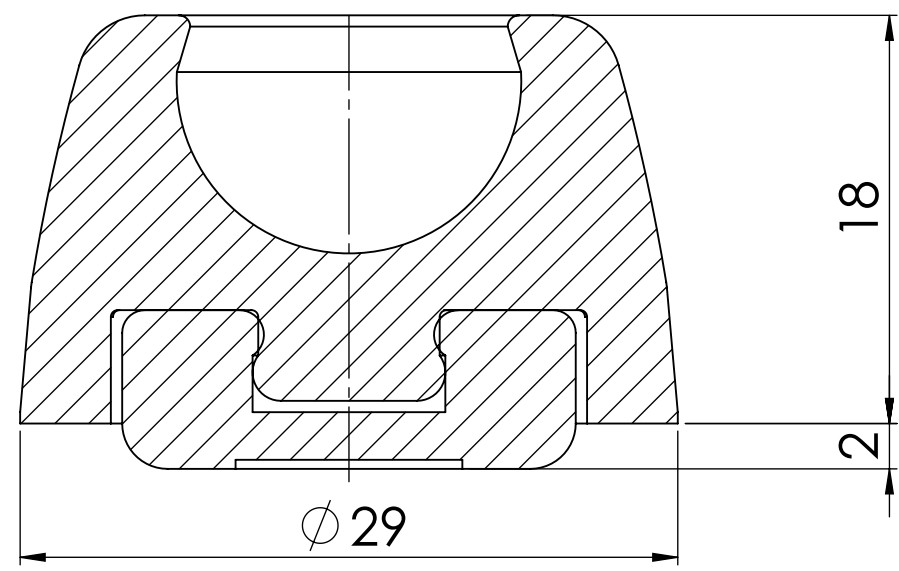
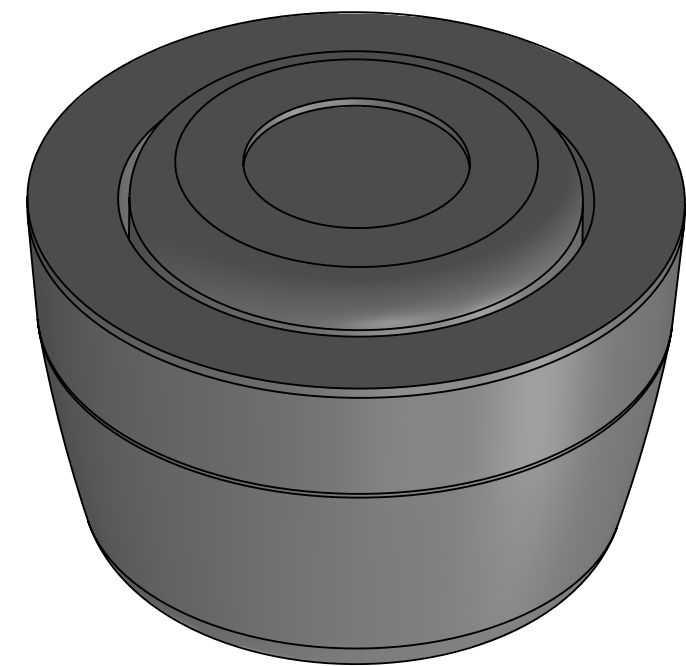
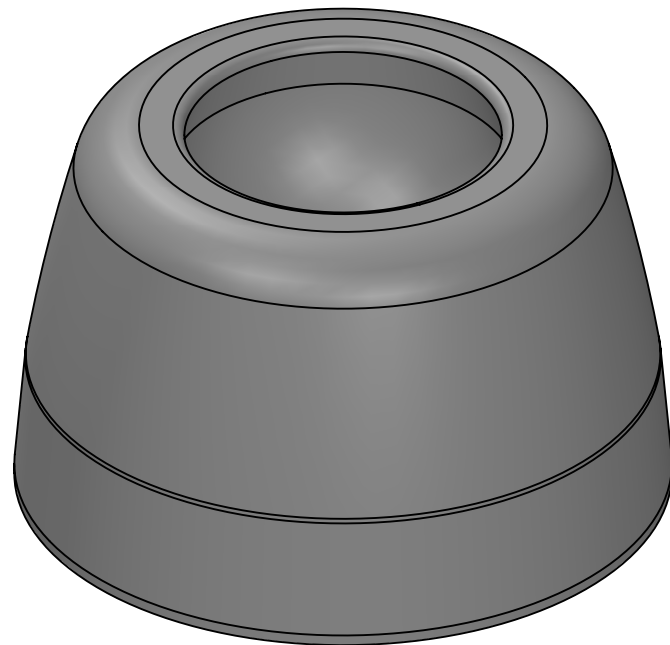
C

B

B

A

A



NOTE :-
ALL UNMENTIONED FILLETS ARE 0.2 MM

		UNLESS OTHERWISE SPECIFIED:		NAME	DATE		
		DIMENSIONS ARE IN MILLIMETERS		DRAWN		TITLE:	
		TOLERANCES:		CHECKED			
		FRACTIONAL ±		ENG APPR.			
		ANGULAR: MACH ± BEND ±		MFG APPR.			
		TWO PLACE DECIMAL ±		Q.A.		SIZE DWG. NO. REV	
		THREE PLACE DECIMAL ±		PROJECTION:		203600101	
		INTERPRET GEOMETRIC TOLERANCING PER: ISO 2768 MEDIUM		THIRD ANGLE PROJECTION			
		MATERIAL		DEBURR AND BREAK SHARP EDGES		SCALE: 2:1 WEIGHT: SHEET 1 OF 1	
NEXT ASSY	USED ON	FINISH					
APPLICATION		DO NOT SCALE DRAWING					

8 7 6 5 4 3 2 1